



NYTRO

PURE SINE WAVE
LINE INTERACTIVE UPS

1500 VA



USER MANUAL | ENG - ITA

INTRODUCTION

Before to start using the UPS please read carefully this manual, so to ensure the best usage and the maximum life duration of the machine. The main features of this Uninterruptible Power Supply (UPS) are listed below:

- ✓ Microprocessor control that guarantees high reliability
- ✓ Pure sinewave output (APFC loads support)
- ✓ Built-in enhanced boost & buck AVR
- ✓ DC start function
- ✓ Auto restart during AC recovery
- ✓ Built-in USB communication port
- ✓ Modem and phoneline surge protection
- ✓ LCD Display

IMPORTANT SAFETY INSTRUCTIONS

This manual contains important safety instructions. Please read and follow all instructions carefully during installation and operation of the unit. Read this manual thoroughly before attempting to unpack, install, or operate your UPS.

CAUTION! To prevent the risk of fire or electric shock, install in a temperature and humidity controlled indoor area free of conductive contaminants. (See the specifications for the acceptable temperature and humidity range.)

CAUTION! To reduce the risk of overheating the UPS, do not cover the UPS cooling vents and avoid exposing the unit to direct sunlight or installing the unit near heat emitting appliances such as space heaters or furnaces.

CAUTION! Do not attach non-computer-related items, such as medical equipment, life-support equipment, microwave ovens, or vacuum cleaners to UPS.

CAUTION! The UPS must be connected to a grounded AC power outlet with the correct protection. DO NOT plug the UPS into an outlet that is not grounded.

CAUTION! Do not allow liquids or any foreign object to enter the UPS. Do not place beverages or any other liquid-containing vessels on or near the unit.

CAUTION! Do not plug the UPS input into its own output.

CAUTION! With the installation of the UPS, it should be prevented that the sum of (UPS and) the connected (load) leakage current exceeds 3.5mA.

CAUTION! In the event of an emergency, press the OFF button and disconnect the power cord from the AC power supply to properly disable the UPS.

CAUTION! In the event of severe and/or prolonged atmospheric events (storms, lightning, etc..) disconnect the UPS from the mains to avoid any damage risk to connected equipment.

CAUTION! The socket-outlet shall be installed near the equipment and easily accessible.

CAUTION! Internal battery voltage is 12V DC. Sealed, lead-acid, 6 cells battery.

CAUTION! Do not dispose of batteries in a fire as they may explode. Do not open or mutilate the battery or batteries.

CAUTION! A battery can present a risk of electrical shock and high short circuit current. The following precautions should be observed when working on batteries:

- 1) Remove watches, rings, or other metal objects from the hands.
- 2) Use tools with insulated handles.
- 3) Wear rubber gloves and boots.
- 4) Do not lay tools or metal parts on top of batteries.
- 5) Disconnect charging source prior to connecting or disconnecting battery terminal.

CAUTION! When replacing batteries, replace with the same number of the sealed lead-acid batteries.

CAUTION! Servicing of batteries should be performed or supervised by personnel knowledgeable of batteries and the required precautions. Keep unauthorized personnel away from batteries.

CAUTION! This UPS utilizes voltages that may be hazardous. Do not attempt to disassemble the unit. The unit contains no user replaceable parts. Only authorized service personnel may perform repairs.

CAUTION! Do not attach a power strip or surge suppressor with >1,5m wire to the UPS

CAUTION! Do not stick fingers into sockets.

CAUTION! The UPS cannot be transported by plane because it contains lead acid batteries.

POSITIONING

Please follow the instructions to correctly position your UPS:

1. The UPS must be placed on a horizontal surface.
2. This UPS is projected for indoor use.
3. The UPS must not be exposed to direct sunlight or any heat source.
4. The air temperature must be between 0°C and 40°C (25°C is the ideal temperature).
5. Ambient humidity must be less than 90%.
6. The UPS must not be placed on dusty environments.
7. The UPS must be placed at least 15 cm. far from walls to ensure enough ventilation.
8. Do not obstruct or pour any liquid on ventilation holes.
9. Do not cover the UPS with any object.
10. Keep away liquids, flammable gases or corrosive substances.

INSTALLING YOUR UPS SYSTEM

UNPACKING

The box should contain the following: UPS unit x1, USB cable x1, IEC cable x1.

HARDWARE INSTALLATION GUIDE

1. Your new UPS may be used immediately upon receipt. However, recharging the battery for at least 8 hours is recommended to ensure that the battery's maximum charge capacity is achieved. Charge loss may occur during shipping and storage. To recharge the battery, simply leave the unit plugged into an AC outlet. The unit will charge in both the ON and OFF position.
2. With the UPS unit off and unplugged, connect the computer, monitor, and any externally powered data storage device (Zip drive, Jazz drive, Tape drive, etc.) into the battery power supplied outlets. DO NOT plug a laser printer, copier, space heater, vacuum, paper shredder or other large electrical device into the battery power supplied outlets. The power demands of these devices will overload and possibly damage the unit.
3. Plug the UPS into a 2 pole, 3 wire grounded receptacle (wall outlet). Make sure the wall branch outlet is protected by a fuse or circuit breaker and does not service equipment with large electrical demands (e.g. air conditioner, refrigerator, copier, etc). Avoid using extension cords.
4. Press the power switch to turn the unit on. The power on indicator light will illuminate and the unit will "beep".
5. If an overload is detected, an audible alarm will sound and the unit will emit one long beep. To correct this, turn the UPS off and unplug at least one piece of equipment from the battery power supplied outlets. Wait 10 seconds. Make sure the circuit breaker is depressed and then turn the UPS on.
6. To maintain optimal battery charge, leave the UPS plugged into an AC outlet at all times, in compliance with all safety conditions.
7. To store your UPS for an extended period, cover it and store with the battery fully charged. Recharge the battery every three months to ensure battery life.

BASIC FUNCTIONALITIES

Front panel

1. LCD Display

The LCD will display the UPS status including input voltage, output voltage, percentage of load and battery...etc.

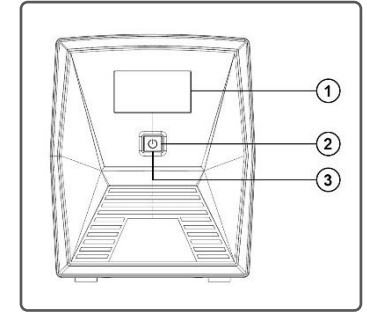
2. On/Off Button

To turn ON/OFF the UPS keep pressed the button for 2 seconds. Release the button after you hear an acoustic signal and a "click". A white light around the button will confirm you that the UPS is switched ON.

Sound disable: the audible alarm can be turned OFF or ON by quickly pressing the power switch twice. The default setting is for the Alarm On.

3. Led Indicator

This LED is illuminated when the UPS is working.



Rear panel

1. USB COMM. Port

This port allows connection to the USB port on the computer, so to get access to remote monitoring and shutdown operations through the UPS management software.

2. RJ45/11 Communication Protection Ports

Provide surge protection for any standard modem, fax, telephone line, or network cable. Using ports brings a 100 Mb/s speed limitation.

3. Input Circuit Breaker

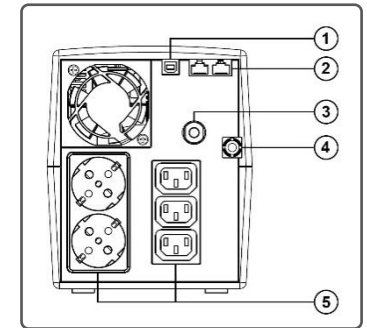
The circuit breaker provides optimal overload protection.

4. Input power cord

Connect to utility power.

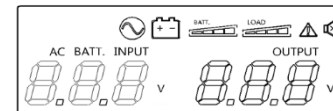
5. Battery Backup & Surge Protected Outlets

The UPS provides outlets for connected equipment to insure temporary uninterrupted operation during a power failure and against surges and spikes.



DEFINITIONS FOR ILLUMINATED LED INDICATORS

LCD Display layout



Indicators definition

	Line mode		Battery mode
	Fault/Alarm		Sound disabled
	Battery mode - Battery capacity Line mode - Battery charging (cycle lighting) - Battery fully charged (lighting)		Load capacity
	AC Input voltage		Output voltage

LED INDICATION AND ALARM

UPS status	LED status	Alarm
Normal	LED lighting	Off
Battery discharge	LED flash once every 30 seconds	Beep once every 30 seconds
Battery low	LED flash once every 2 seconds	Beep once every 2 seconds
Overload	LED flash once every 0,5 seconds	Beep once every 0,5 seconds
Off Charging mode	LED off	Off
Fault	LED off	Continuous alarm

TECHNICAL SPECIFICATIONS

Model	NYTRO 1500 VA
Capacity (VA/W)	1500/900
Input	
Nominal Voltage range	230 VAC
Nominal Frequency range	50/60 Hz
Output	
On Battery Output Voltage	230 ±10% VAC
On Battery Output Frequency	50/60 Hz ±1%
Overload Protection	Breaker
Wave form	Pure Sine Wave
Physical	
Dimensions WxHxD (mm)	148x178x298
Weight	10.8 kg
Battery	
Number and type	2x 12V/9Ah
Typical Recharge Time	8 Hours
Warning Diagnostics	
Indicators	Power On
Audible Alarms	On Battery, Low Battery, Overload, Fault
Environmental	
Operating Temperature	0°C to 40°C
Operating Relative Humidity	0 to 90%
Management	
Auto-Charger	Yes
Auto-Restart	Yes
USB COMM.Port	Yes
RJ45/11Communication Protection Ports	Yes

TROUBLE SHOOTING

Problem	Possible Cause	Solution
The UPS does not perform expected runtime.	Batteries are not fully charged.	Recharge the battery by leaving the UPS plugged in.
	Battery is slightly worn out.	Contact Technical Support for battery replacing.
The UPS will not turn on.	The unit is not connected to an AC outlet.	The unit must be connected to a 220-240V outlet.
	The battery is worn out.	Contact Technical Support for battery replacing.
	Mechanical problem.	Contact Technical Support.
Outlets do not provide power to equipment	Circuit breaker is tripped due to overload.	Turn the UPS off and unplug at least one piece connected equipment. Unplug the power cord of the UPS then press the circuit breaker knob.
	Batteries are discharged	Allow the unit to recharge for at least 4 hours.
	UPS has been damaged by a surge or spike.	Contact Technical Support.
Fault code F09	Output short: output circuit short.	Shutdown the UPS. Your attached equipment may have problems, please remove them and check again.
Fault code F11	Wrong battery voltage.	Check if battery quantity and voltage are correct.
Fault code F14 / A64	Overload occurs: your equipment requires more power than the UPS can provide.	Shut off non-essential equipment. If this solves the overload problem, the UPS will transfer to normal operation.
Fault code F18 / A69	Fan fail / Fan locked.	Check the fan status. If it still doesn't work contact Technical Support.
Fault code A56	Battery voltage is too low.	Shutdown your computer and recharge the battery immediately.
Fault code A59	Battery is disconnected/open.	Contact Technical Support for battery connection check.
Fault code A86	Output voltage low.	Cut off the input breaker and start the machine after 30s. Please contact Technical Support if the problem still persists.

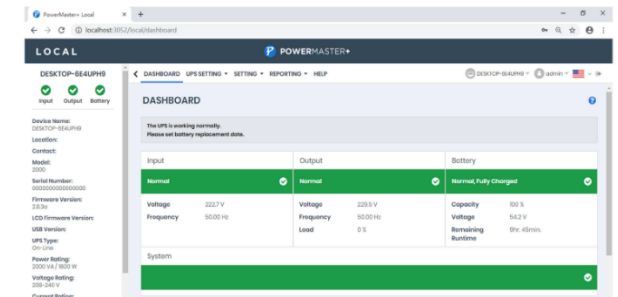
MANAGEMENT SOFTWARE DOWNLOAD

The management software provides a user-friendly interface for your power systems. The graphic interface is intuitive and displays essential power information at a glance.

Installation procedure:

1. Download Power Master software from the internet website: www.justepyc.com
2. Double-click the file and follow the installation steps.

To access Power Master double-click on the software icon or enter <http://localhost:3052> address on your web browser



MAINTENANCE

Before starting any cleaning operation, be sure that:

1. The AC Input Voltage for the UPS has been removed.
2. The UPS is OFF.

Use a cloth moistened only with water to externally clean the UPS. Before restarting the UPS be sure it is completely dry.

If the UPS works in an environmental unusually dusty or dirty, remove the dirty from the ventilation holes

If any liquid gets inside the UPS, do not start the unit and contact Technical Service immediately.

SUPPORT

If the UPS has been damaged during delivery, please report it to the transporter.

If the UPS requires repairs check the trouble shooting table.

If the problem persists contact our technical support at www.justepyc.com

Opening, repairing, or replacing parts inside the UPS must always be carried out by specialized technical personnel only, otherwise warranty has to be considered forfeited.

WARRANTY

The standard warranty for Epyc UPS's is 24 months from the date of purchase.

Epyc's standard procedure is to repair the UPS, or to replace the original unit with a factory reconditioned unit.

The warranty period is 12 months from the date of purchase for all parts subject to wear and tear (such as batteries and fuses).

Please visit www.justepyc.com for further details about warranty conditions

ENVIRONMENTAL PROTECTION

Epyc's packagings are made by recyclable materials, in compliance with company environmental policy.

For proper disposal please separate the different packaging materials as listed on the table below.

Then dispose all materials according to your Country specific regulations.

Component	Material	Recycling code
Box	Cardboard	PAP 20
Angular packaging	Expanded polystyrene	PS 6
Protective bags	Polyethylene	HDPE 2

Disposal

The UPS contains circuit boards and batteries, that are considered toxic waste and dangerous.

At the end of its life the UPS must be disposed in compliance to WEEE current regulation (Waste of Electric and Electronic Equipment). Check www.justepyc.com for more details.

Proper disposal helps to protect the environment.



K01-C000583-01 NT01

All rights reserved. Reproduction without permission is prohibited.



www.justepyc.com